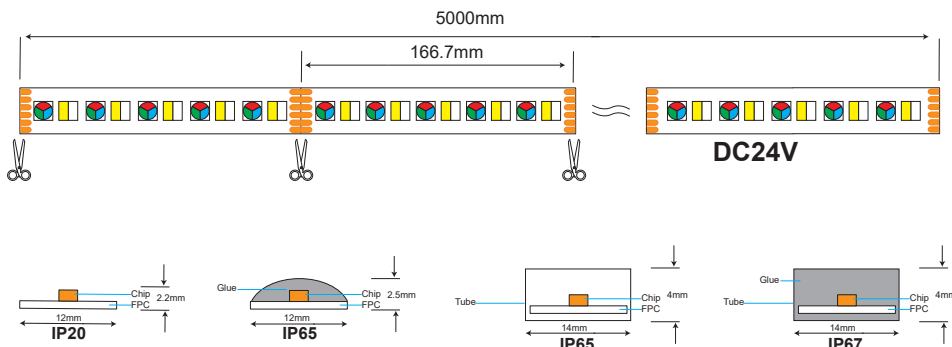




SKY-FSL5050-60L-12mm-B

Dimensions:




Technical Parameter:

Lumen package	450lm
Power	12W
Max Length	5m
Kelvins	RGB+CCT (3000K+6000K) ● 610-625nm ● 515-520nm ● 460-465nm
CRI	80
Light efficiency	37.5
Leds/m	60
Voltage	24V
Tape width	12mm
Cutting step	<5
Waterproof grade	IP20/IP65/IP67
Tc Temperture	<80 C
Operating Temperature	-35 C~50 C
Beam Angle	120°
Dimmable	Yes
Strip length per reel	5m(IP20/65/67) 10m(IP20) 50m(IP20)

General information

To produce our indoor flexible LED strips, we use Sanan LEDs chip, durable copper PCB and a current stabilization system inside the LED strip. Thermal conductive tape guarantees perfect heat transfer to the mounting surface. All of our product features guarantee extra long lifetime and stable performance. Our flexible LED light strips are designed for long-term professional lighting applications and perfectly fit in any linear or curved applications.





SKYBALL ELECTRONIC&LIGHTING CO., LTD.,
5050/60/12&24V/12/SKY-FSL5050-60L

A

B

C

D


E

F

G

G

12/M
kWh / 1000h



2019/2015

Disclaimer: the product details seen in photo may slightly different in real product. For more information, please contact our sales.